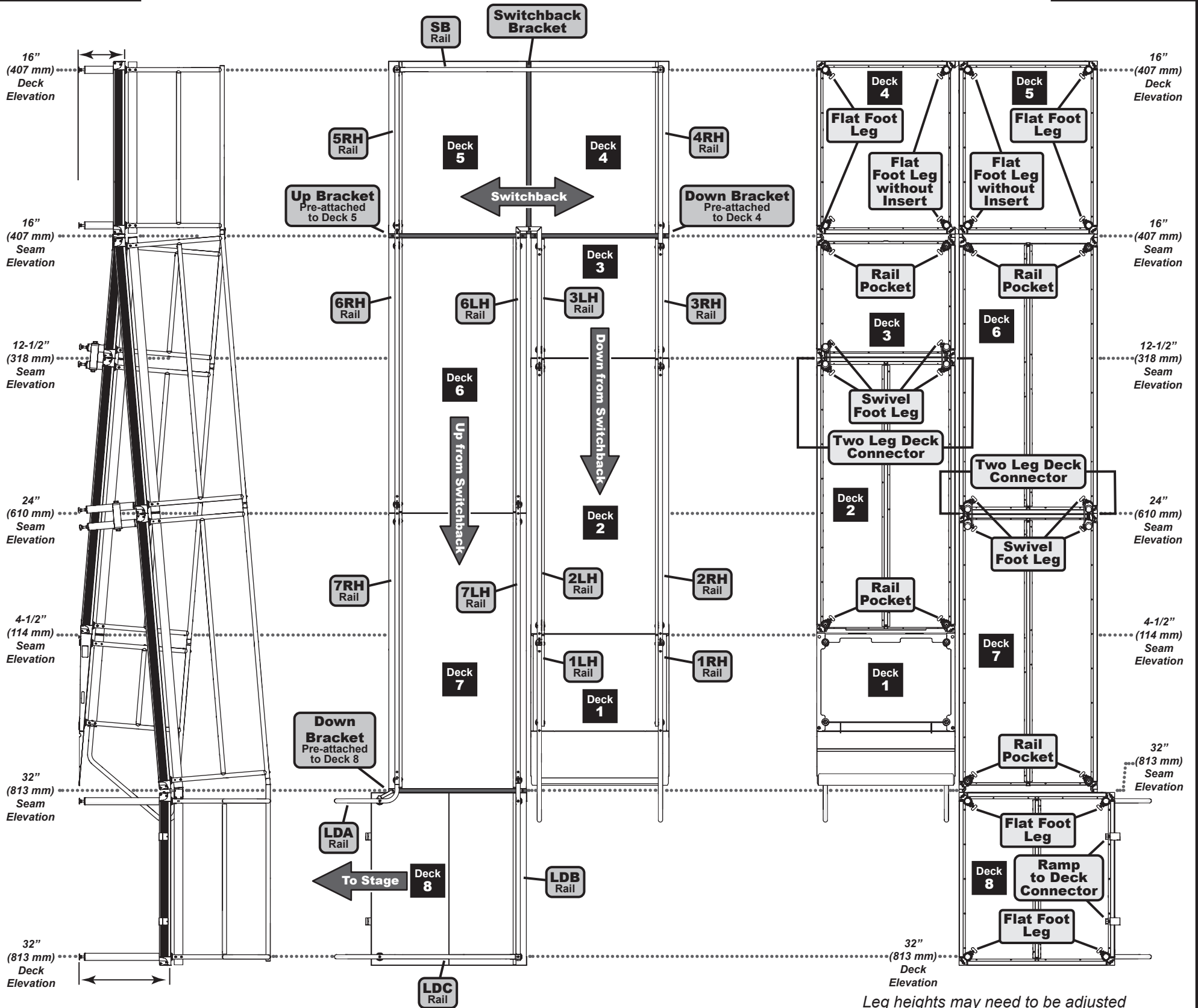


# ADA Ramp - Deck and Leg Set Up Guide

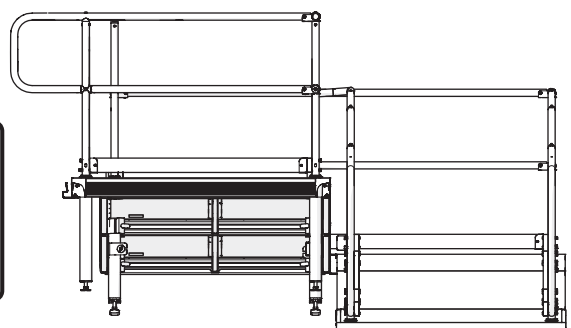
## for 282A025 - 32" (813 mm) Elevation Ramp

### with Left Hand Switchback and Right Hand Landing

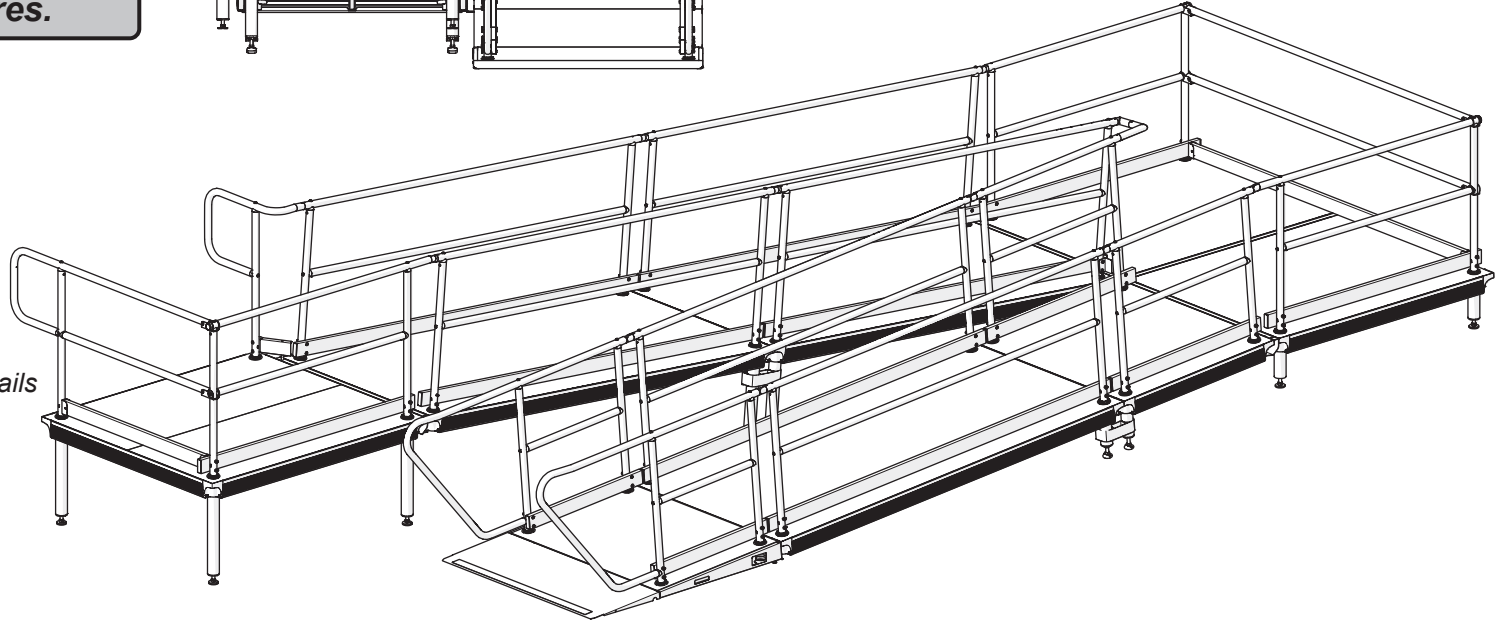


Leg heights may need to be adjusted to accommodate elevation changes and differences.

**This guide shows assembled component placement only, see the Assembly Instructions for assembly procedures.**



Shown with optional Mid Rails



Wenger Corporation  
 555 Park Drive, P.O. Box 448  
 Owatonna, Minnesota 55060-0448  
 USA: 800-4WENGER (493-6437) • Worldwide: +1 (507) 455-4100  
 wengercorp.com

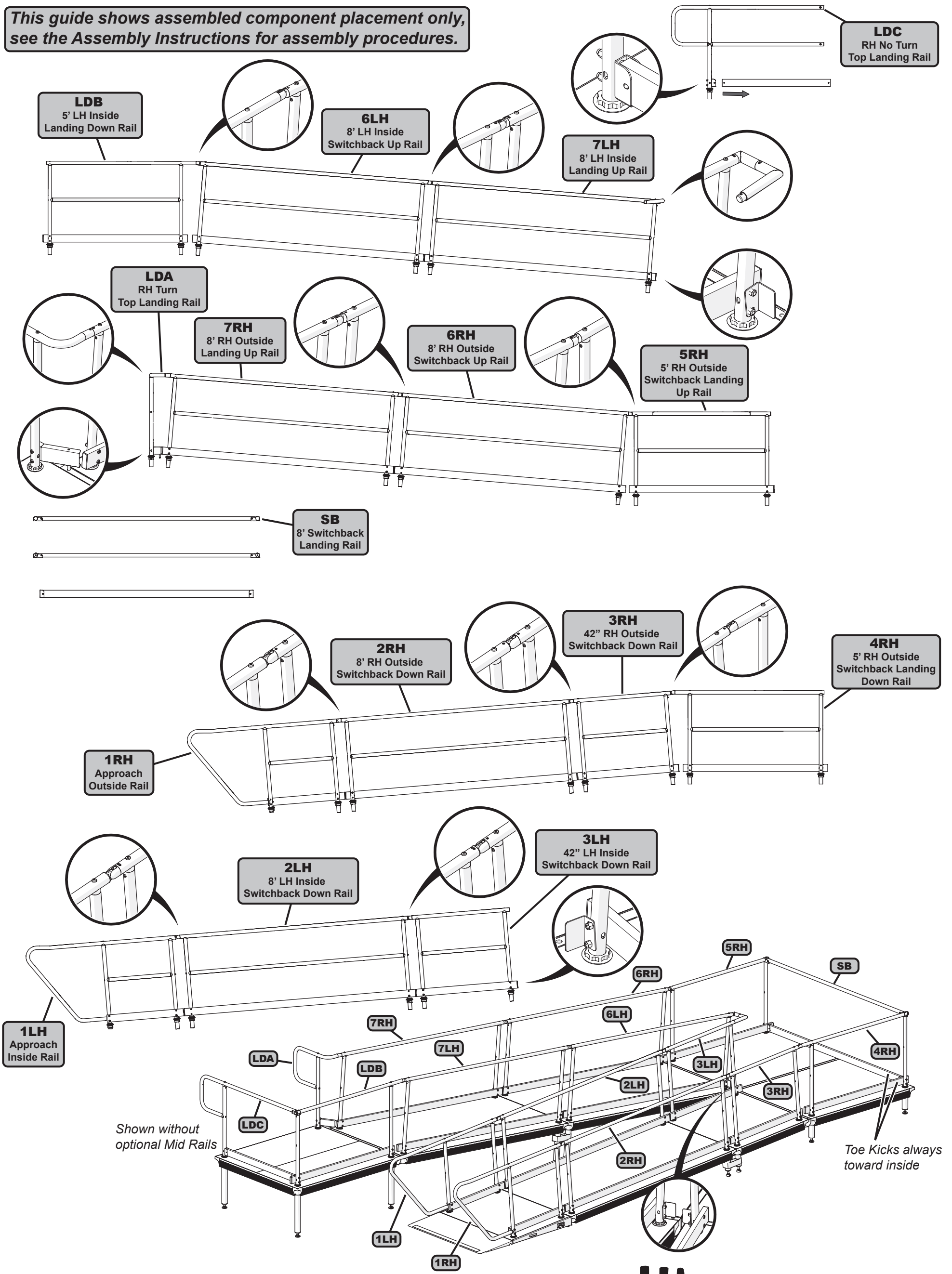
Wenger®

Your Performance Partner

# ADA Ramp - Rail Set Up Guide

## for 282A025 - 32" (81m mm) Elevation Ramp with Left Hand Switchback and Right Hand Landing

*This guide shows assembled component placement only, see the Assembly Instructions for assembly procedures.*



Wenger Corporation  
 555 Park Drive, P.O. Box 448  
 Owatonna, Minnesota 55060-0448  
 USA: 800-4WENGER (493-6437) • Worldwide: +1 (507) 455-4100  
 wengercorp.com

Wenger®

*Your Performance Partner*